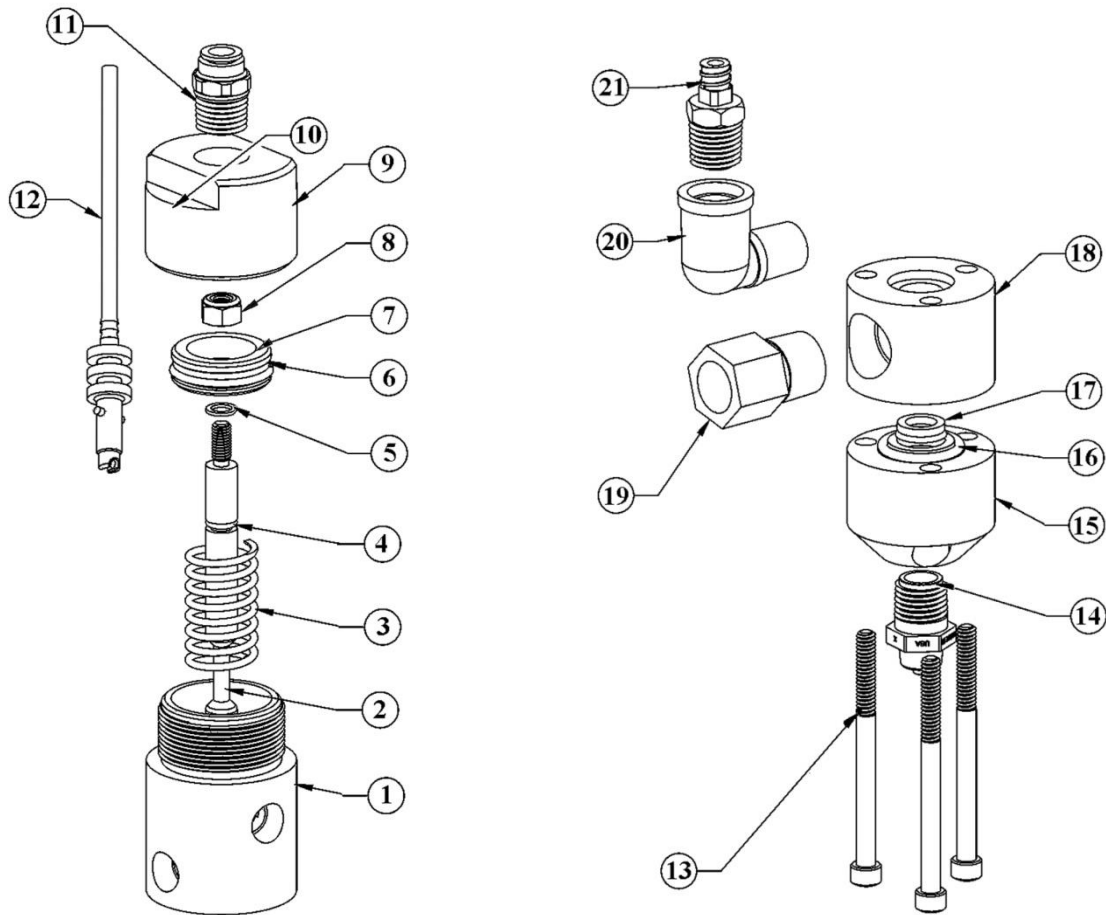


TS934 Series High Pressure Spool Valve



Seal Repair Kit = 941-SEALKIT

Includes 1 x 4, 5, 6, 10, 2 x 16 and 2 x 17

Valve Repair Kit = 941-VALVEKIT

Includes 1 x 2, 4, 5, 6, 10, 2 x 16 and 2 x 17

Lubrication: All O-Rings & seals must be lubricated with Parker-O-Lube, or equivalent, with the exception of the two TSD400-69 seals, which must remain dry. Only item 4 requires Bimba HT-99, or equivalent.

Item	Part Number	Description	Item	Part Number	Description
1	934-000-001	Cylinder For TS934	12	A0100268	Air Hose & Connector Assembly
1*	934A-000-001	Cylinder For TS934A	13	TSD1103-323	Valve Assembly Screw
2	934-000-005	Spool Shaft	14	TSD931-7	Tip Adaptor 1/4" NPT
3	3300-0607	Spring	15	934-000-003	Outlet Block (Al) For TS934
4	TSD1400-008B	Spool Shaft O-Ring, Viton	15*	934A-000-003	Outlet Block (Al) For TS934A
5	TSD1145-1	Fiber Washer	16	TSD1400-115C	Chamber O-Ring, EPR
6	TSD1399-2	Piston U-Cup Seal	17	TSD400-69	U-Cup Seal
7	934-000-004	Piston	18	934-000-002	Material Inlet Block (Al) For TS934
8	TSD1116-4	Lock Nut	18*	934A-000-002	Material Inlet Block (Al) For TS934A
9	927-000-007	End Cap	19	TSD912-15	Reducer, 3/8" NPT X 1/4" NPT
10	TSD1400-025A	Cap O-Ring, Buna	20	TSD918-3	Elbow, 1/4-18 NPT X 1/4-18 NPT
11	TSD1002-26	Air Fitting, 1/4" Tube X 1/4" NPT	21	TSD931-15	1/4" NPT X Female Luer Lock Fitting