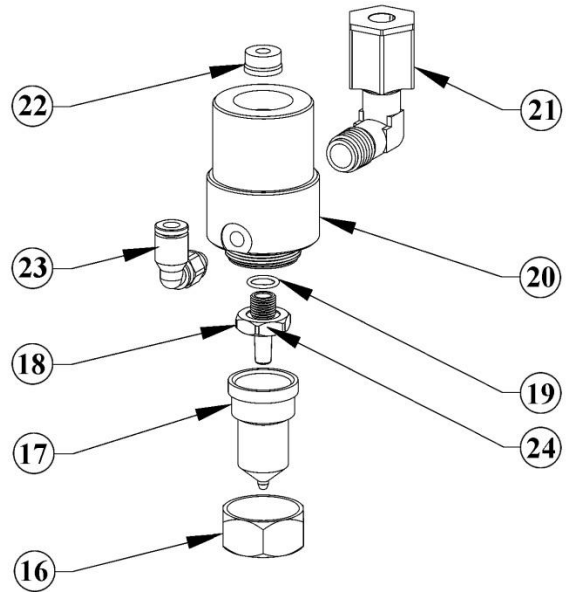
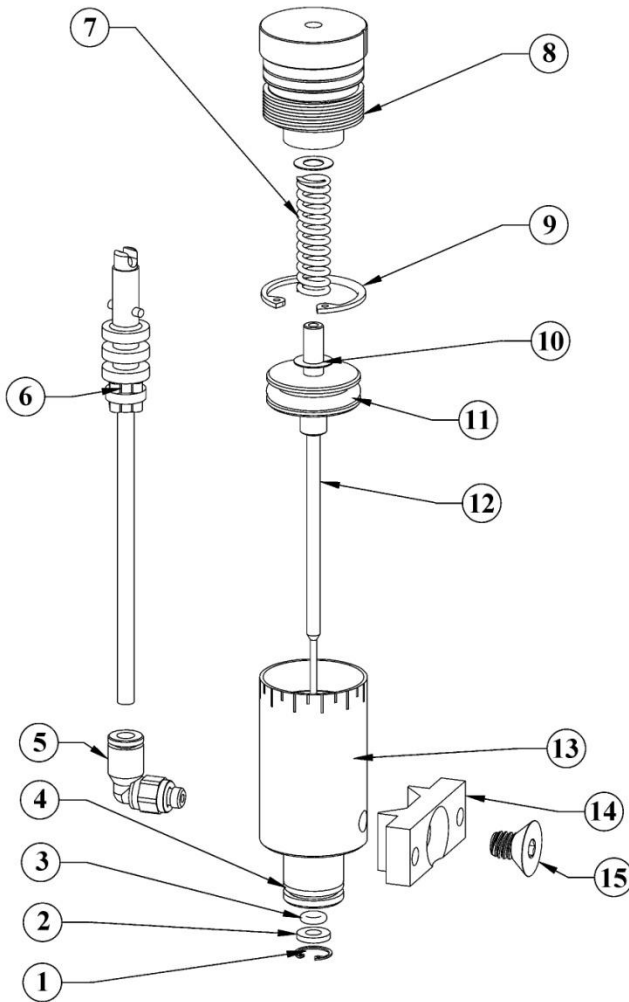


TS5540-MS Spray Valve



O-Ring Kit = 5540-ORINGKIT

Includes 1 x 3, 4, 11 and 19

Retaining Ring Kit = 5540-SRKIT

Includes 1 x 1, 2, 9 and 2 x 10

U-Seal Insertion Tool = 5540-SIT

Lubrication: All O-Rings & seals must be lubricated with Bimba HT-99, or equivalent, with the exception of TSD400-85, which must remain dry. No lubrication required for nozzle seat/seal either.

Item	Part Number	Description	Item	Part Number	Description
1	TSD1120-2	Retaining Ring, Small	13	T1000600	Air cylinder
2	TSD1109-45	Nylon Washer	14	918-000-048	Mounting Bracket
3	TSD1400-006A	O-Ring, Buna	15	2800-0634	Mounting Screw
4	TSD1400-013B	O-Ring, Viton®	16	T1000583	Locking Ring
5	TSD1003-20	Air Fitting, 4mm, Elbow	17	7509-0010	Air Cap
6	A0100478	Air Hose/Connector Assy, 4mm	18	7509-9010	Luer Nozzle
7	TSD1150-34	Spring	19	TSD1400-495B	O-Ring, Viton®
8	T1000599	End Cap	20	T1000579	Body
9	TSD1120-15	Retaining Ring, Large	21	TSD1003-16	Compression Fitting
10	TSD1109-43	Mylar Washer	22	TSD400-85	U-Cup Seal
11	TSD1400-208A	Piston O-Ring, Buna	23	TSD1003-20	Air Fitting, 4mm, Elbow
12	7509-9000	Needle/Piston Assembly	24	5440-000-006	Luer Adaptor Teflon® Seat