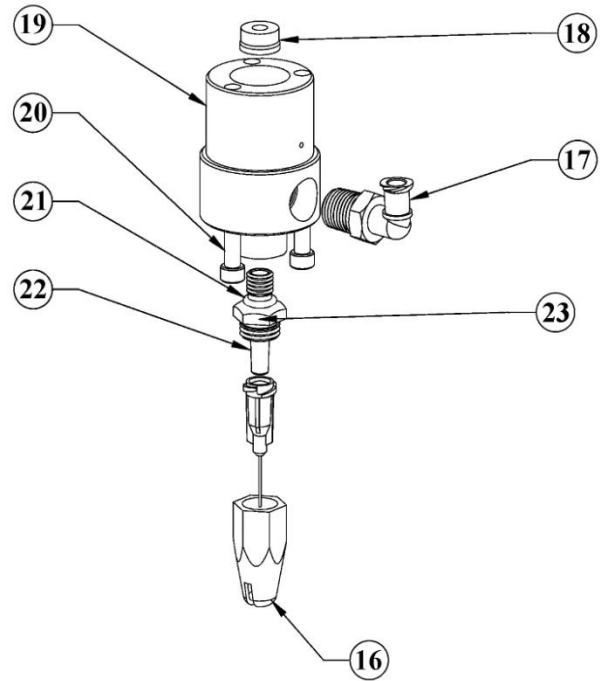
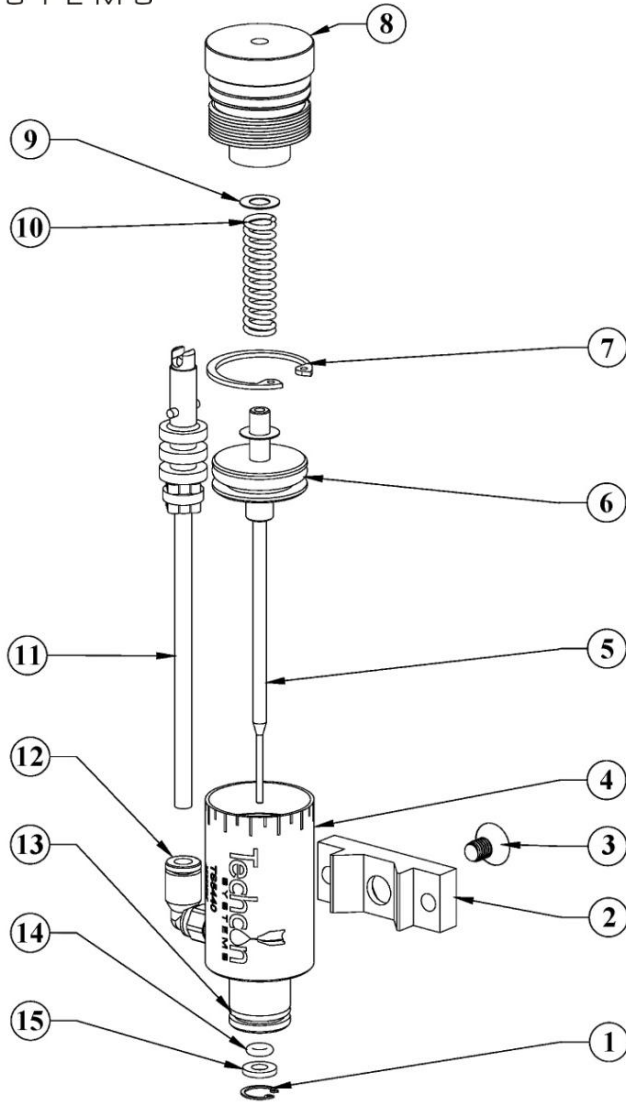


TS5440 Series Micro Shot Needle Valve



Seal Repair Kit = 5440-SEALKIT

Includes 1 x 6, 13, 14, 15, 17, 18, 21 and 2 x 9

Valve Repair Kit = 5440-VALVEKIT

Includes 1 x 1, 5, 6, 7, 13, 14, 15, 17, 18, 21, 22, 2 x 9 and 3 x 20

U-Seal Insertion Tool = 5540-SIT

Lubrication: All O-Rings & seals must be lubricated with Bimba HT-99, or equivalent, with the exception of TSD400-86, which must remain dry.

Item	Part Number	Description	Item	Part Number	Description
1	TSD1120-2	Retaining Ring, Small	12	TSD1003-20	Air Fitting, 4mm, Elbow
2	918-000-048	Mounting Bracket	13	TSD1400-013A	O-Ring, Buna
3	TSD1106-41	Mounting Screw	14	TSD1400-006A	O-Ring, Buna
4	5440-000-008	Air Cylinder, For TS5440	15	TSD1109-45	Nylon Washer
4*	5440-000-008SS	Air Cylinder, For TS5440-SS	16	5440-000-004	Tip Cap, Full Block
5	5440-000-007S	Needle/Piston Assembly	17	TSD931-75	Luer Lock Adaptor, Elbow
6	TSD1400-208A	Piston O-Ring, Buna	18	TSD400-86	U-Cup Seal
7	TSD1120-15	Retaining Ring, Large	19	5440-000-001	Valve Body (SS)
8	5520-000-007	End Cap	20	TSD1103-398	Body Screw
9	TSD1109-43	Mylar Washer	21	TSD1400-008A	O-Ring, Buna
10	TSD1150-52	Spring	22	5440-000-005	Luer Taper Adaptor
11	A0100478	Air Hose/Connector Assy, 4mm	23	5440-000-006	Luer Adaptor Teflon® Seat