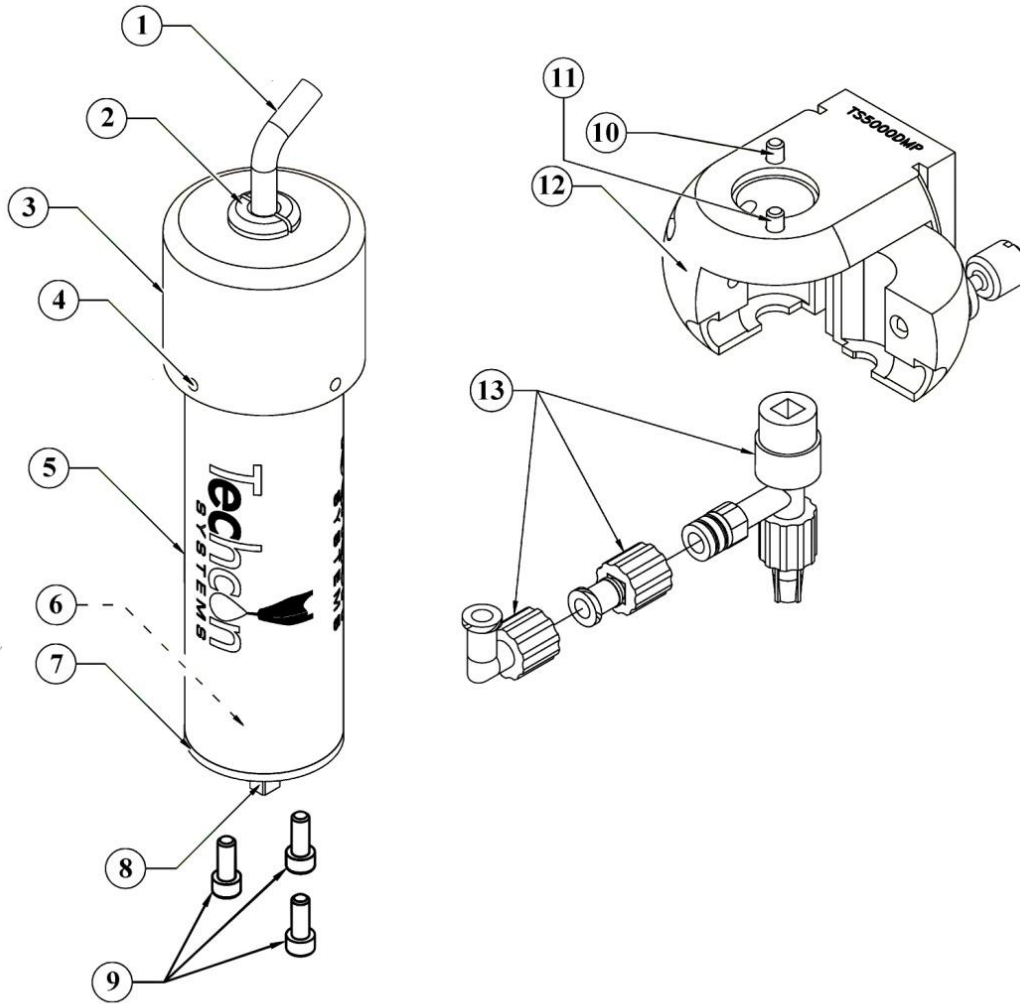


TS5000DMP Series Rotary Valve



Lubrication: The Viton® feed path o-ring is lubricated with Parker -O-Lube.

| Item | Part Number | Description | Item | Part Number | Description |
|------|--------------|----------------------|------|-------------|---|
| 1 | TSD1415-12 | Cable | 11 | TSD1103-10 | Body Screw, Short |
| 2 | TSD1401-7 | Bushing | 12 | A0100167 | Body For TS5000DMP |
| 3 | 5000-000-171 | Sleeve Cap | 12* | A0100184 | Body For TS5000DMPL |
| 4 | TSD1103-334 | Cap Screw | 13 | DMP6-10 | 6 Pitch DMP Assy, Fixed Red Collar |
| 5 | 5000-000-346 | Motor Sleeve | 13* | DMP6R-10 | 6 Pitch DMP Assy, Rotating Red Collar |
| 6 | TSD1412-22 | Motor | 13* | DMP8-10 | 8 Pitch DMP Assy, Fixed Black Collar |
| 7 | T1000295 | Motor Mounting Plate | 13* | DMP8R-10 | 8 Pitch DMP Assy, Rotating Black Collar |
| 8 | 2200-000-011 | Square Drive | 13* | DMP16-10 | 16 Pitch DMP Assy, Fixed Blue Collar |
| 9 | TSD1103-330 | Mounting Plate Screw | 13* | DMP16R-10 | 16 Pitch DMP Assy, Rotating Blue Collar |
| 10 | TSD1103-14 | Body Screw, Long | | | |