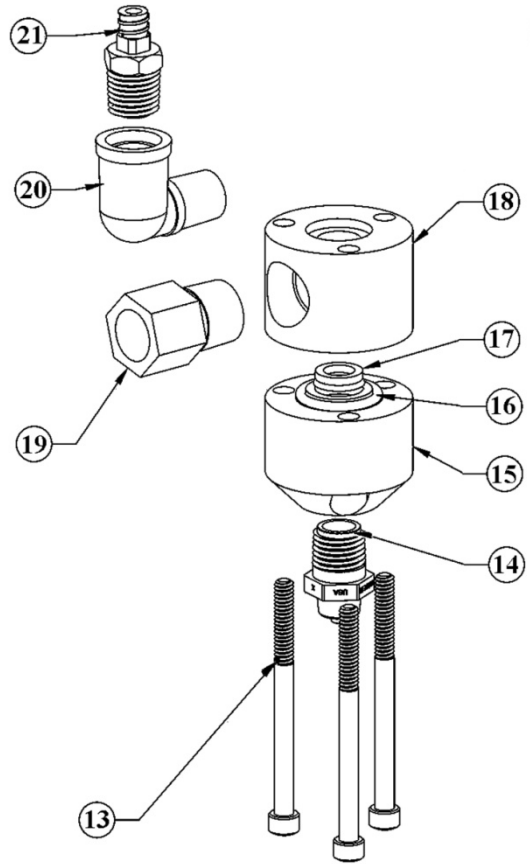
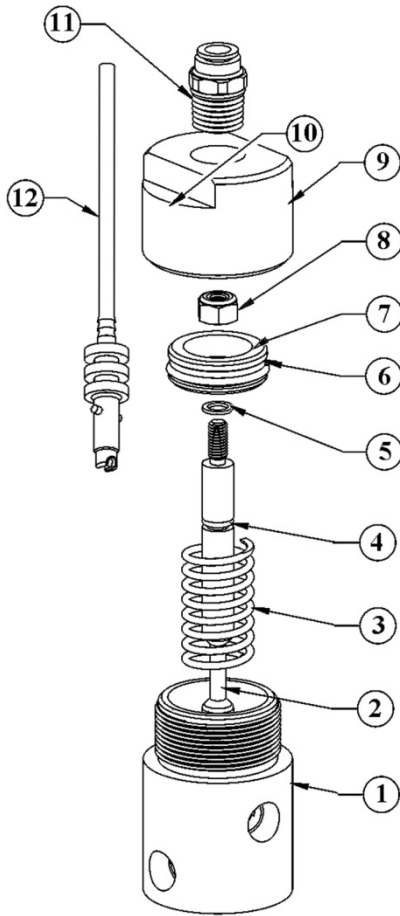


# TS941 Series High Pressure Spool Valve



**Seal Repair Kit = 941-SEALKIT**

Includes 1 x 4, 5, 6, 10, 2 x 16 and 2 x 17

**Valve Repair Kit = 941-VALVEKIT**

Includes 1 x 2, 4, 5, 6, 10, 2 x 16 and 2 x 17

**Lubrication:** All O-Rings & seals must be lubricated with Parker-O-Lube, or equivalent, with the exception of the two TSD400-69 seals, which must remain dry. Only item 4 requires Bimba HT-99, or equivalent.

Item	Part Number	Description	Item	Part Number	Description
1	934-000-001	Cylinder For TS941	12	A0100268	Air Hose & Connector Assembly
1*	934A-000-001	Cylinder For TS941A	13	TSD1103-323	Valve Assembly Screw
2	934-000-005	Spool Shaft	14	TSD931-7	Tip Adaptor ¼" NPT
3	934-000-006	Spring	15	941-000-002	Outlet Block (SS) For TS941
4	TSD1400-008B	Spool Shaft O-Ring, Viton	15*	941A-000-002	Outlet Block (SS) For TS941A
5	TSD1145-1	Fiber Washer	16	TSD1400-115C	Chamber O-Ring, EPR
6	TSD1399-2	Piston U-Cup Seal	17	TSD400-69	U-Cup Seal
7	934-000-004	Piston	18	941-000-001	Material Inlet Block (SS) For TS941
8	TSD1116-4	Lock Nut	18*	941A-000-001	Material Inlet Block (SS) For TS941A
9	927-000-007	End Cap	19	TSD912-15	Reducer, ⅜" NPT X ¼" NPT
10	TSD1400-025A	Cap O-Ring, Buna	20	TSD918-3	Elbow, ¼-18 NPT X ¼-18 NPT
11	TSD1002-26	Air Fitting, ¼" Tube X ¼" NPT	21	TSD931-15	¼" NPT X Female Luer Lock Fitting