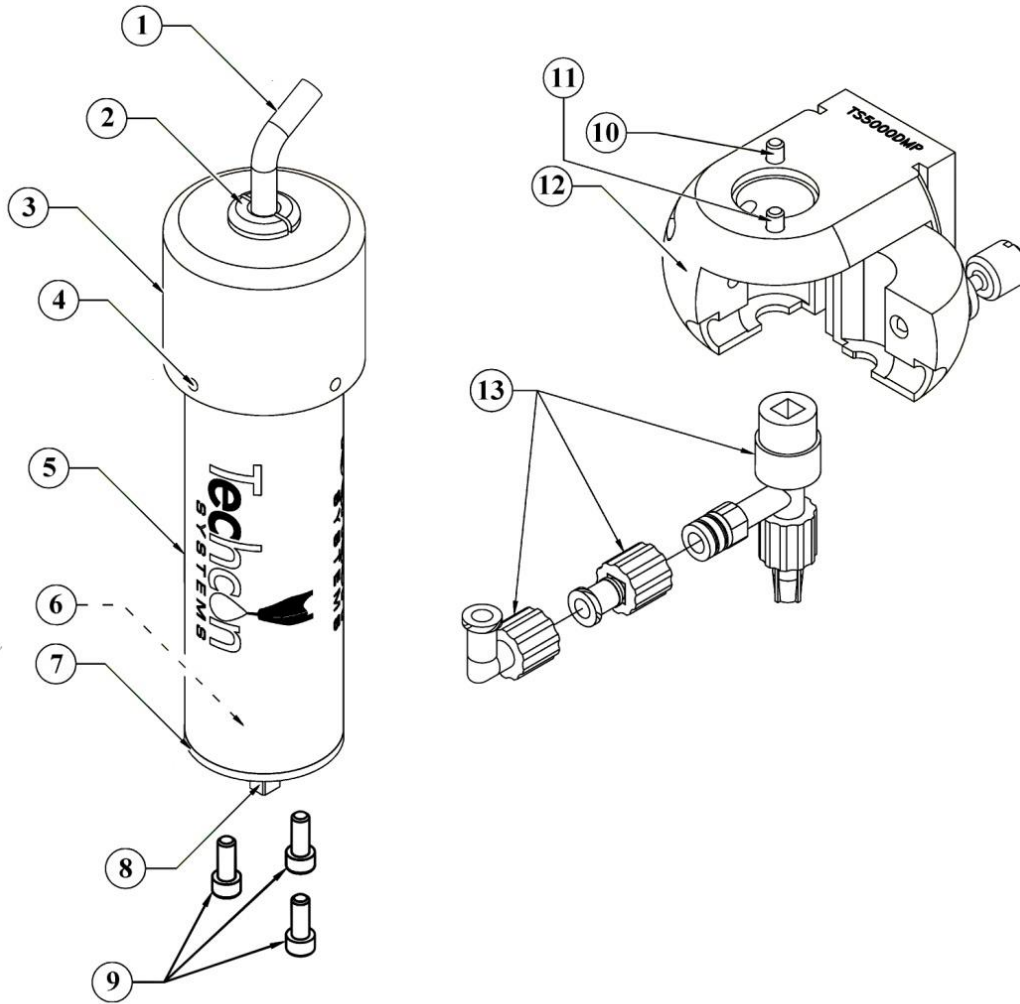


TS5000DMP-DCX Series Rotary Valve



Lubrication: The Viton® feed path o-ring is lubricated with Parker -O-Lube.

Item	Part Number	Description	Item	Part Number	Description
1	TSD1415-12	Cable	12	A0100167	Body For TS5000DMP
2	TSD1401-7	Bushing	12*	A0100184	Body For TS5000DMPL
3	5000-000-171	Sleeve Cap	13	DMP6-10	6 Pitch DMP Assy, Fixed Red Collar
4	TSD1103-334	Cap Screw	13*	DMP6R-10	6 Pitch DMP Assy, Rotating Red Collar
5	5000-000-346	Motor Sleeve	13*	DMP8-10	8 Pitch DMP Assy, Fixed Black Collar
6	TSD1412-61	Motor, 14W 19:1	13*	DMP8R-10	8 Pitch DMP Assy, Rotating Black Collar
7	T1000295	Motor Mounting Plate	13*	DMP16-10	16 Pitch DMP Assy, Fixed Blue Collar
8	2200-000-011	Square Drive	13*	DMP16R-10	16 Pitch DMP Assy, Rotating Blue Collar
9	TSD1103-330	Mounting Plate Screw	14	5000-000-005	Mounting Bracket (Not Shown)
10	TSD1103-14	Body Screw, Long	15	TS3706	Syringe Bracket (Not Shown)
11	TSD1103-10	Body Screw, Short			