



Product Data Sheet

TS5624DMP Disposable Material Path Diaphragm Valve

The TS5624 Disposable Diaphragm Valve features a “first to market” Disposable Material Path. Difficult fluids such as CA’s and pre-mixed 2-part epoxies, can now be dispensed without the need of frequent cleaning, by simply replacing the entire wetted area in a matter of seconds, while the valve stays on the production line.

The wetted parts are manufactured from black Polyethylene to prevent moisture and UV light come into contact with the dispense fluids. As a result, moisture sensitive fluids such as Cyanoacrylate and UV cured adhesives can be dispensed reliably and accurately.

The TS5624 dispenses low to medium viscosity fluids over a wide range of shot and bead sizes, down to a fraction of a micro liter. An internal spring return makes the valves fully adaptable for use with Techcon Systems controllers. A short opening stroke provides an extremely fast and positive shut-off.

The seal-less valve design offers an excellent moisture sensitive resistance and the incorporated diaphragm creates a barrier between the wetted parts and the air cylinder.

The valve comes with the following items:

- Mounting bracket kit
- Valve air hose
- Luer lock fluid line
- Sample packet of DMP inserts
- Dispensing tip selection pack

TYPICAL APPLICATIONS

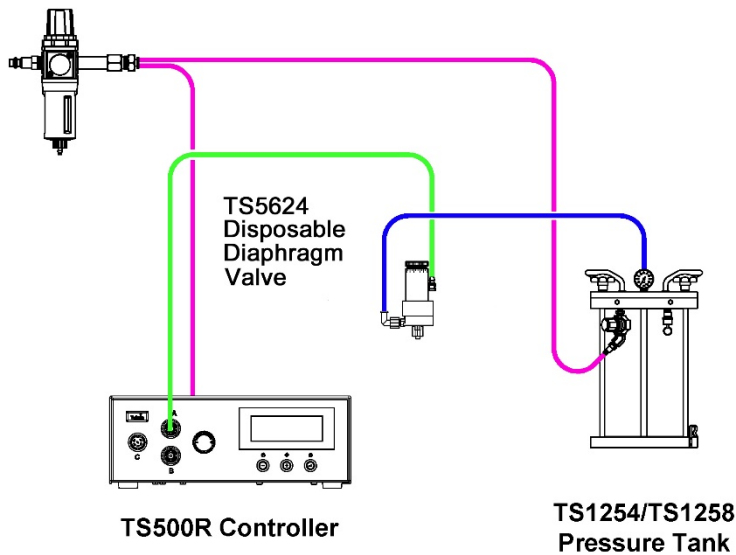
- Dispensing pre-mixed 2-part epoxy.
- Dispensing Cyanoacrylate in bonding applications
- Applying a of UV lacquer in CD/DVD spin coating applications

KEY FEATURES AND BENEFITS

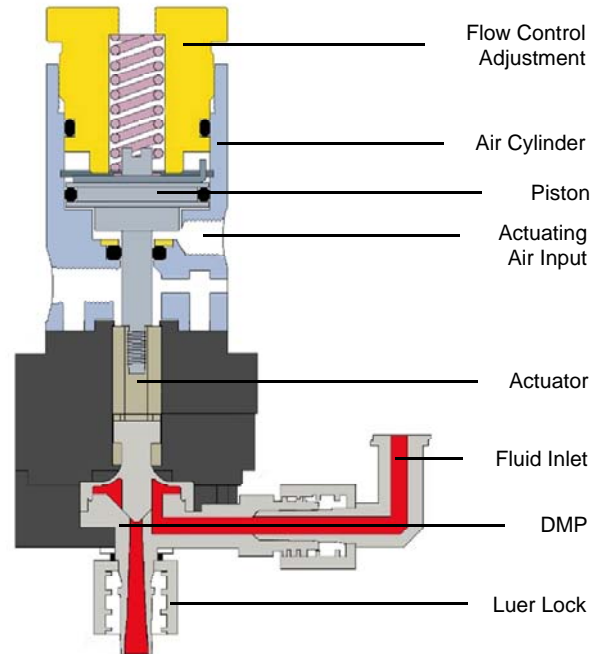
- Disposable material path – no cleaning
- Compact size and weight
- Excellent moisture sensitive resistance
- No special tools required
- Low cost of ownership
- Accurate and repeatable dispensing



TYPICAL SETUP



■ FLUID
■ CONSTANT AIR
■ PULSED AIR



SPECIFICATIONS & PART NUMBERS

| | |
|----------------------------|--------------------------------------|
| Part Number: | TS5624DMP |
| Size | See drawing |
| Weight: | 0.25 lb (113g) |
| Fluid Inlet Port: | Luer lock female |
| Fluid Outlet Port | Luer lock male |
| Aux Air Inlet Port: | 10-32 UNF female |
| Activation Pressure Range: | 70 psi - 90 psi (4.8bar - 6.2bar) |
| Max Fluid Pressure: | 60 psi (4.1bar) |
| Mounting Port: | 10-32 UNF female |
| Viscosity Range: | 1 - 50 000cps |
| Wetted Parts: | Black Polyethylene Compound |

ACCESSORIES

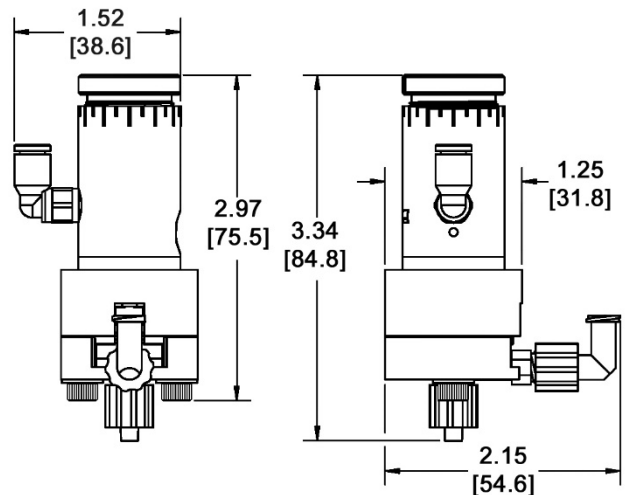
- **Replacement DMP Insert:** DMP-5624
- **Syringe Bracket:** 7509-9100 fits all syringe sizes.
- **Fitting kit:** VFKIT – for 1/4" OD tubing connection
- **Fluid Reservoirs:** TS1254 or TS1258 pressure tank
Note: The TS1254 and TS1258 come with standard 1/4" OD tubing so the VFKIT will be required to make the connection.
- **Dispense Tip:** For complete dispense tip selection please visit www.techconsystems.com



LOCAL DISPENSING SOLUTIONS WORLDWIDE



Dimensions are in inches [mm]



For Sales and Support:

Techcon Systems Corporate Headquarters,
12151 Monarch Street, Garden Grove,
California, 92841, USA.

Tel: 1-714-230-2398, Fax: 1-714-230-2393

E-mail: [OEMorders@okinternational.com](mailto: OEMorders@okinternational.com)

Techcon Systems European Corporate Office,
Eagle Close, Chandler's Ford Industrial Estate,
Eastleigh, Hampshire, SO53 4NF, UK.

Tel: +44 2380 489 100, Fax: +44 2380 489 109

E-mail: [europe-orders@okinternational.com](mailto: europe-orders@okinternational.com)

Or visit www.techconsystems.com