



Product Data Sheet

TS5000DMP-DCX Series Rotary Valve

Techcon Systems' patented Disposable Material Path (DMP) valve contains a unique disposable feed path for easy maintenance and reliable dispensing. With the feed path made of Delrin®, the valve is designed for use with two-component epoxy, UV fluids and abrasive fluids. The DMP valve has a hinged doorway that opens easily so the disposable feed path can be removed, disposed of, and replaced within seconds while the line is still in operation. No cleaning or refurbishment of the valve is required.

The DMP is the perfect valve for applications where removing the valve for cleaning is inconvenient and costly. With the ability to remove and replace the disposable feed path, the valve maintains its dispensing accuracy over a greater period of time. With less fluid build up to reduce wear-and-tear on the motor, the valve's usable lifetime is dramatically increased. An optional encoder version is available, for closed loop feedback control.

Techcon Systems TS5000DMP-DCX Series Valve has three options in pitch size: 6, 8 and 16 pitch and all pitch types are available with a fixed or rotating color coded Luer collar.

The valve is shipped with the following items:

- Mounting bracket kit (including syringe bracket)
- 30/55cc receiver head assembly
- DIN Connector
- Sample DMP kit – 6, 8 and 16 pitch
- Dispensing tip selection pack

TYPICAL APPLICATIONS

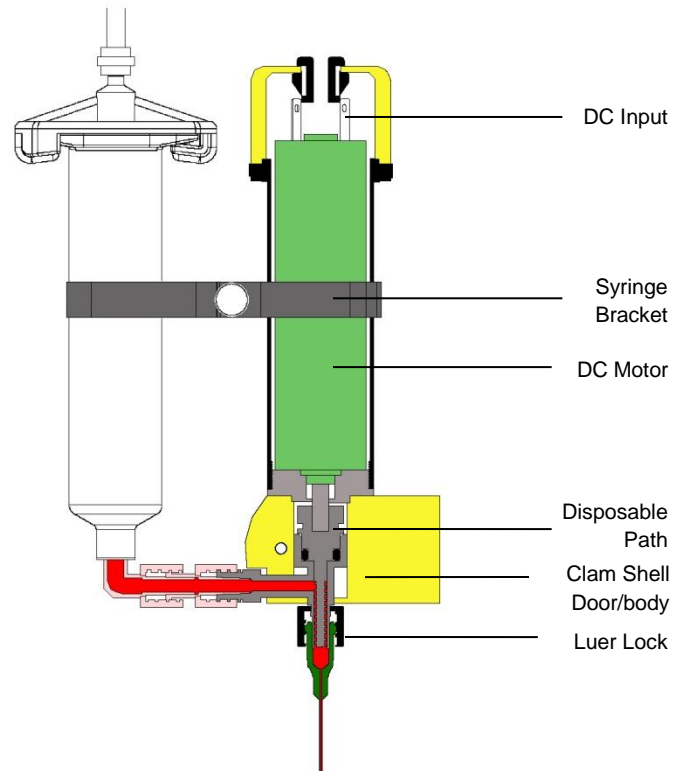
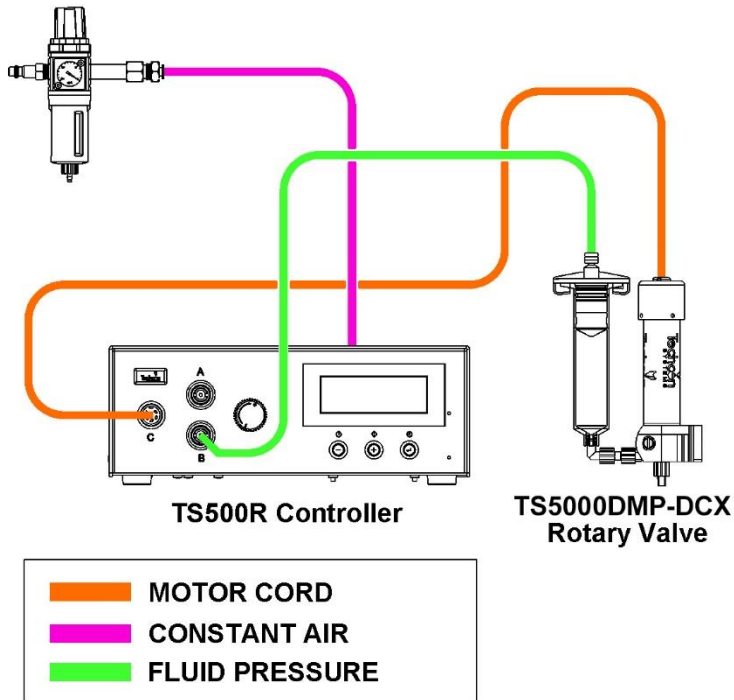
- Laying a solder paste bead in solar cell tabbing
- Dispensing small deposits of SMA in PCBA production
- Dispense structural adhesive on flexible PCBA

KEY FEATURES AND BENEFITS

- Dispensing with motor reverse capability
- UV compatible Delrin® fluid paths
- Rotating tip collar option for bent/oval tips
- Disposable fluid paths - no cleaning required



TYPICAL SETUP



SPECIFICATIONS & PART NUMBERS

Part Number:	TS5000DMP-DCX
Size (Imperial):	See drawing
Size (Metric):	See drawing
Weight:	0.77 lb (331g)
Fluid Inlet Port:	Luer lock female
Fluid Outlet Port:	Luer lock male
Door Opening:	Right side
Input Voltage Range:	5 - 24VDC
Max Fluid Pressure:	30 psi (2.07bar)
Operating Frequency:	300+ cycles/min.
Mounting Port:	1"/25.4mm channel
Viscosity Range:	30K - 1 300Kcps

Wetted Parts: Delrin®, Viton®, Nylon®

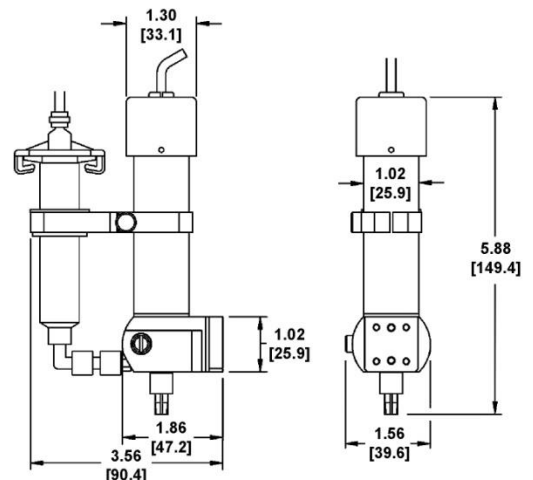
DMP Part Number Options (10 pieces per pack):

DMP6-10	6P DMP Fixed Collar	DMP6R-10	6P DMP Rotating Collar
DMP8-10	8P DMP Fixed Collar	DMP8R-10	8P DMP Rotating Collar
DMP16-10	16P DMP Fixed Collar	DMP16R-10	16P DMP Rotating Collar

ACCESSORIES

- **Dispensing Tips:** Precision TE, TT or TS-SS Series dispensing tips, are available for this valve type. For the complete dispensing tip offering please visit www.techconsystems.com
- **Digital Controller:** Techcon's TS500R Digital Controller is designed specifically for Techcon's TS5000DMP-DCX valve.

Dimensions are in inches [mm]



For Sales and Support:

Techcon Systems Corporate Headquarters,
 10800 Valley View Street, Cypress,
 California, 90630, USA.

Tel: 1-714-230-2398, Fax: 1-714-828-2001

E-mail: [OEMorders@okinternational.com](mailto: OEMorders@okinternational.com)

Techcon Systems European Corporate Office,
 Eagle Close, Chandler's Ford Industrial Estate,
 Eastleigh, Hampshire, SO53 4NF, UK.

Tel: +44 2380 489 100, Fax: +44 2380 489 109

E-mail: [europe-orders@okinternational.com](mailto: europe-orders@okinternational.com)

Or visit www.techconsystems.com



LOCAL DISPENSING SOLUTIONS WORLDWIDE

Version 2.40